

SD - Smoke detector Radial View



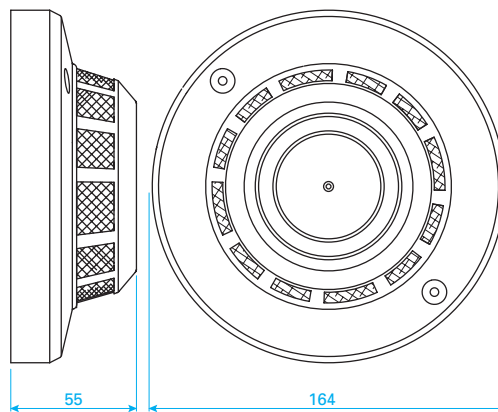
- Unique custom-designed housing enables unhindered side-viewing operation
- Camera completely concealed behind unique one-way viewing mesh
- Camera mounted on manually adjustable 'swivel and tilt' cradle to enable exact camera positioning
- Housings can conceal up to 5 cameras - 4 side-viewing plus 1 vertical-viewing
- Comes with free power supply
- Comes with lint-free cleaning cloth to remove grease and dirt from case and lens
- Lens : 4mm standard(side view), others available on request or 3.6mm (pinhole)
- Flying leads fitted for ease of installation
- 'NO' Smoke detector electronics

**Standard resolution monochrome camera**

Image sensor	1/3" CCD sensor
Horizontal resolution	380 TV lines or greater
Electronic shutter	Automatic linear shutter
Sensitivity	0.3 lux
Video output	CCIR, 1Vp-p, 75 Ohms
Supply voltage	12 Vdc + 10%
Working temperature	-18°C to + 60°C

**Standard resolution colour camera**

Image sensor	1/3" CCD sensor
Horizontal resolution	330 TV lines or greater
Electronic shutter	Automatic linear shutter
Sensitivity	2.5 lux
Video output	CCIR, 1Vp-p, 75 Ohms
Supply voltage	12 Vdc + 10%
Working temperature	-18°C to + 60°C



WEIGHT: 155 g

ordering code	full product description
SD-300	Side viewing standard resolution monochrome Smoke detector camera (one camera)
SD-300/P	Vertical viewing standard resolution monochrome Smoke detector camera
SD-302	Side viewing standard resolution monochrome Smoke detector camera (2 cameras)
SD-600	Side viewing standard resolution colour Smoke detector camera (one camera)
SD-600/P	Vertical viewing standard resolution colour Smoke detector camera
SD-602	Side viewing standard resolution colour Smoke detector camera (2 cameras)